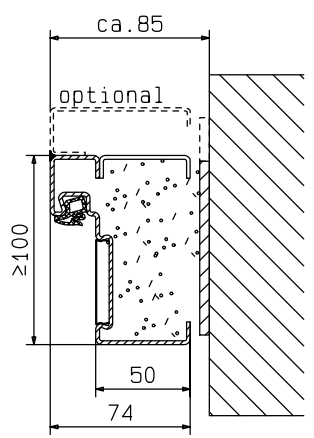
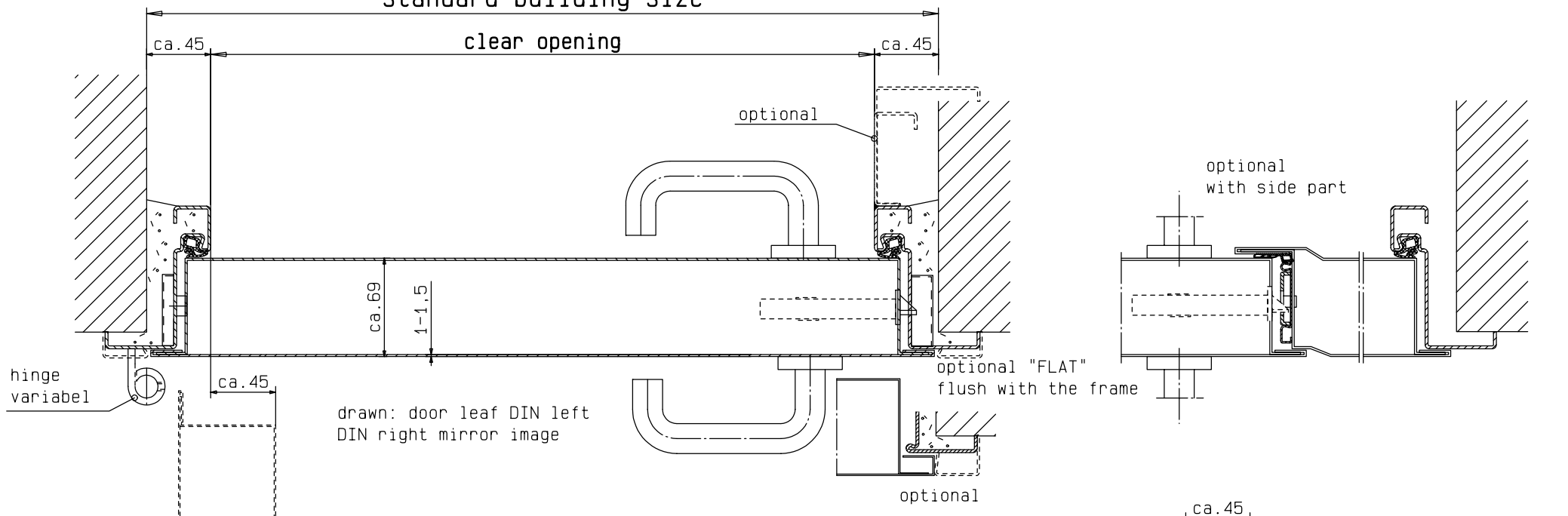
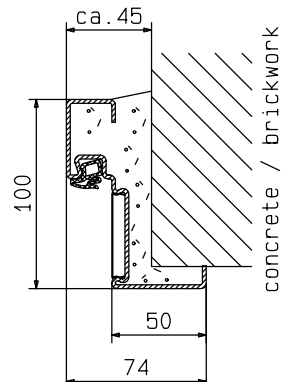


standard building size

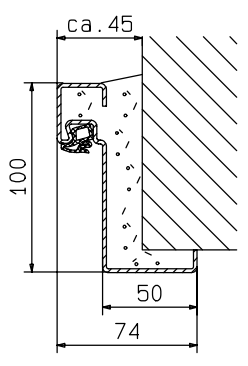
clear opening



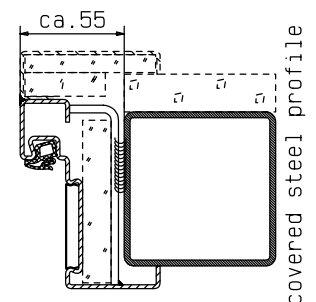
frame "ZNG 68/76"



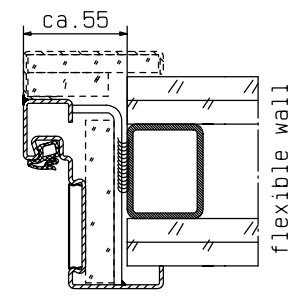
optional frame "ZNG 58/76"



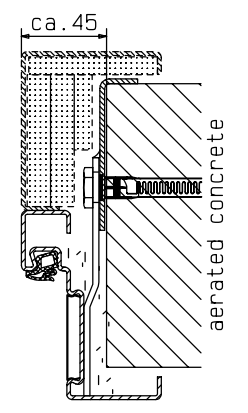
optional frame "ZG 68/76"



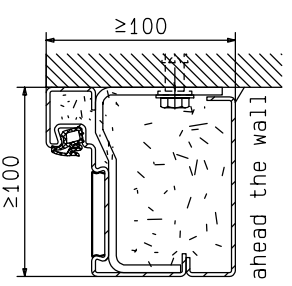
covered steel profile



flexible wall



aerated concrete



ahead the wall

detail of glazing  
see at vertical cross-section

01.07.2020

**System Schröders**  
Innovation Tür und Tor

Gerhard-Welter-Straße 7; D-41812 Erkelenz

**single leaf steel door  
for outer space  
"System Schröders ASN-1"  
horizontal cross-section**

